

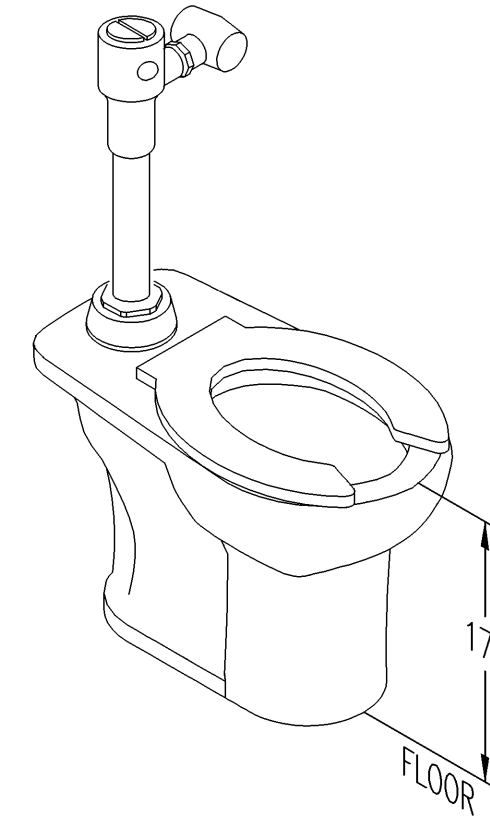
SPECIFICATIONS:

- VITREOUS CHINA ADA COMPLIANT FLOOR MOUNTED FLUSH VALVE WATER CLOSET WITH FULLY GLAZED 2" TRAPWAY, ELONGATED SIPHON JET BOWL, 1.1/1.6 GALLONS PER FLUSH. FLUSH HANDLE LOCATED ON WIDE SIDE OF STALL.
- WHITE SOLID PLASTIC OPEN FRONT ELONGATED SEAT WITH EXTERNAL CHECK HINGES, INTEGRAL BUMPERS, LESS COVER.

DETAIL BASED ON AMERICAN STANDARD, "MADERA" SERIES

MARK	DESCRIPTION	TRAP	PIPE SIZES				MOUNTING
			HW	CW	WP	VP	
P-1	ADA - DUAL FLUSH VALVE WATER CLOSET	INTEGRAL	-	1"	4"	2"	FLOOR

ADA - WATER CLOSET



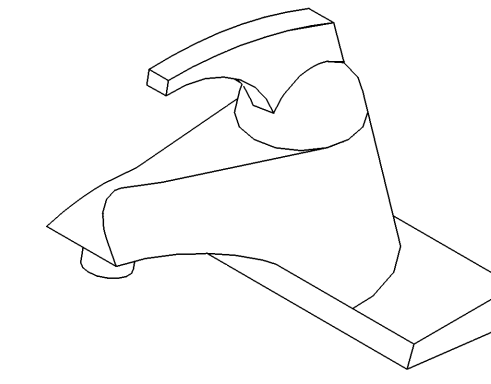
SPECIFICATIONS:

- VITREOUS CHINA ADA COMPLIANT FLOOR MOUNTED FLUSH VALVE WATER CLOSET WITH FULLY GLAZED 2" TRAPWAY, ELONGATED SIPHON JET BOWL, 1.1/1.6 GALLONS PER FLUSH. FLUSH HANDLE LOCATED ON WIDE SIDE OF STALL.
- WHITE SOLID PLASTIC OPEN FRONT ELONGATED SEAT WITH EXTERNAL CHECK HINGES, INTEGRAL BUMPERS, LESS COVER.

DETAIL BASED ON AMERICAN STANDARD, "MADERA" SERIES

MARK	DESCRIPTION	TRAP	PIPE SIZES				MOUNTING
			HW	CW	WP	VP	
P-2	ADA - DUAL FLUSH VALVE WATER CLOSET	INTEGRAL	-	1"	4"	2"	FLOOR

WATER CLOSET

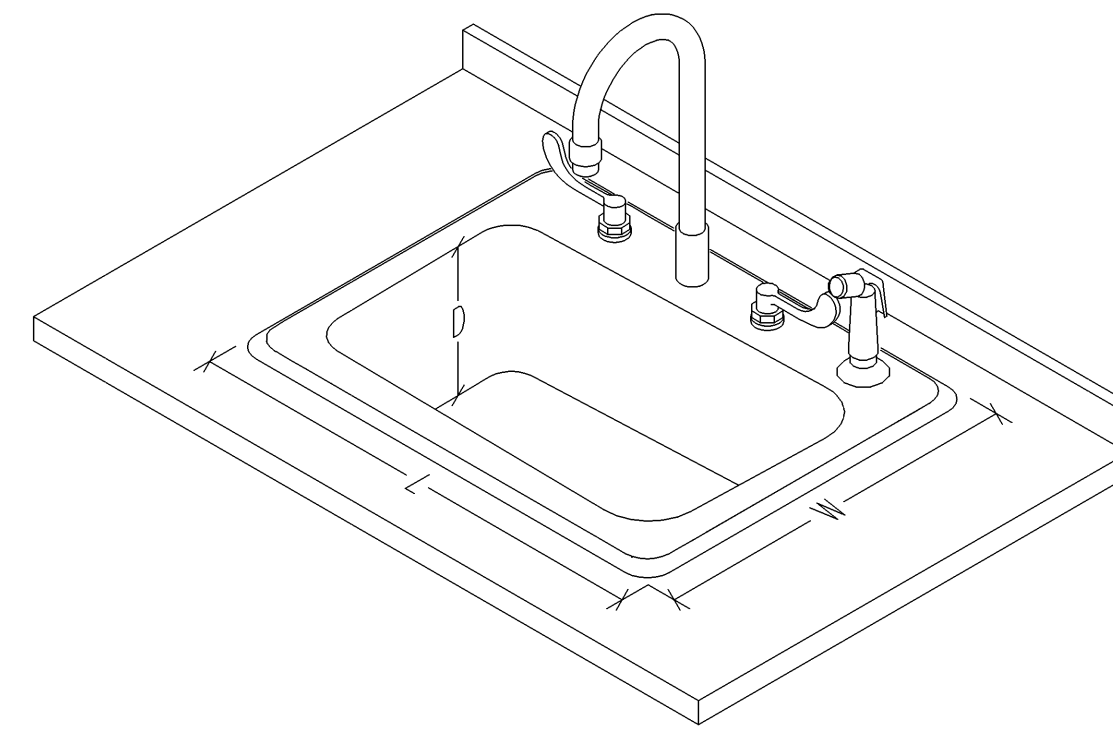


SPECIFICATIONS:

- CHROME PLATED CAST BRASS SINGLE CONTROL CENTERSET FAUCET POLISH CHROME PLATED FINISH, CERAMIC VALVE, ADA COMPLIANT LEVER HANDLE WITH COLOR INDEX, 0.5 GPM VANDAL RESISTANT AERATING SPRAY OUTLET, LESS POP-UP. AS MANUFACTURED BY CAMBRIDGE BRASS.
- CHROME FINISH CAST BRASS LOOSE KEY ANGLE STOPS WITH CHROME FINISH RIGID SUPPLY RISERS. OFFSET GRID STRAINER AND ADJUSTABLE "P"-TRAP WITH ANSI AND ADA APPROVED, VINYL MOLDED INSULATION WITH NYLON FASTENER KITS, PAINTED AS DIRECTED BY THE ARCHITECT.

MARK	DESCRIPTION	TRAP	PIPE SIZES				MOUNTING
			HW	CW	WP	VP	
P-3	LAVATORY FAUCET	"P"-TRAP	1/2"	1/2"	2"	1-1/2"	COUNTER MOUNTED

LAVATORY FAUCET



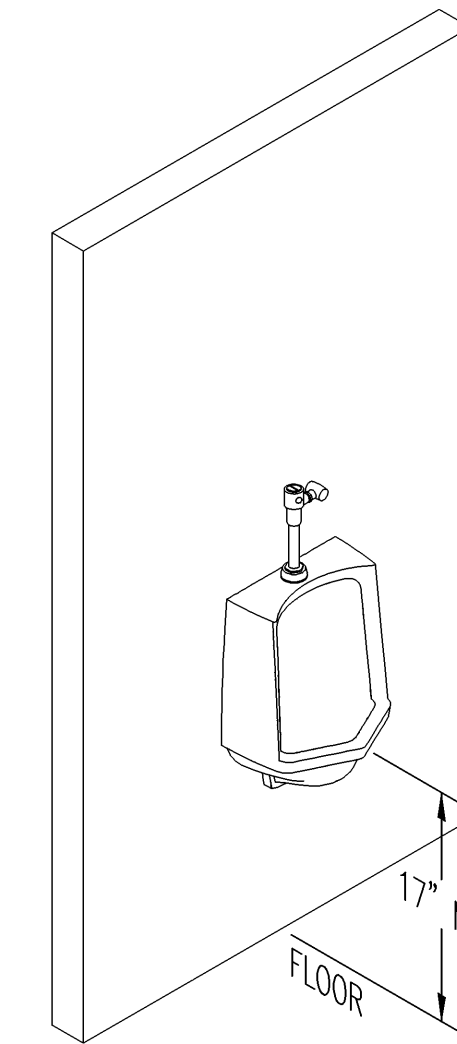
SPECIFICATIONS:

- SEAMLESS DIE DRAWN 18 GAUGE STAINLESS STEEL ADA COMPLIANT SINK WITH EXPOSED SURFACE POLISHED TO A NON-POROUS FINISH. FULLY COATED UNDERSIDE INSULATED FOR SOUND AND CONDENSATE.
- 8" CENTER, TWO HANDLE BELOW DECKMOUNT FAUCET, POLISHED CHROME PLATED FINISH TRIM, CAST BRASS BODIES, BRASS SPOUT AND TRIM, HEAVY DUTY RIGID/SWIVEL GOOSENECK SPOUT, STANDARD 2.2 GPM FLOW CONTROL AERATOR, 4" BLADE HANDLES, COLOR INDEX METAL HANDLES WITH VANDAL RESISTANT SCREWS AND WITH HOSE SPRAY, AS MANUFACTURED BY CAMBRIDGE BRASS.
- CHROME FINISH CAST BRASS LOOSE KEY ANGLE STOPS WITH CHROME FINISH RIGID SUPPLY RISERS. OFFSET GRID STRAINER AND ADJUSTABLE "P"-TRAP WITH ANSI AND ADA APPROVED, VINYL MOLDED INSULATION WITH NYLON FASTENER KITS, PAINTED AS DIRECTED BY THE ARCHITECT.

DETAIL BASED ON JUST, "STYLIST" GROUP

MARK	DESCRIPTION	TRAP	PIPE SIZES				MOUNTING
			HW	CW	WP	VP	
P-4	ADA - KITCHEN SINK 18"Wx15"Lx6-1/2"D	"P"-TRAP	1/2"	1/2"	2"	1-1/2"	COUNTER TOP

ADA - KITCHEN SINK COUNTER TOP



SPECIFICATIONS:

- VITREOUS CHINA ADA COMPLIANT WALL MOUNTED FLUSH VALVE URINAL WITH FULLY GLAZED 2" TRAPWAY, 1.0 GALLON PER FLUSH.
- CONCEALED FLOOR MOUNT SUPPORT. WALL BRACKETS SHALL NOT BE USED.

DETAIL BASED ON AMERICAN STANDARD, "LYNBROOK" SERIES

MARK	DESCRIPTION	TRAP	PIPE SIZES				MOUNTING
			HW	CW	WP	VP	
P-5	ADA - FLUSH VALVE URINAL	INTEGRAL	-	3/4"	2"	1-1/2"	WALL

ADA - URINAL

